



KONICA MINOLTA

SCALABLE SOLUTIONS WITH SMALL CARBON FOOTPRINT

A4 Monochrome MFP bizhub 4750 / 4050



bizhub 4750 / 4050

Giving Shape to Ideas

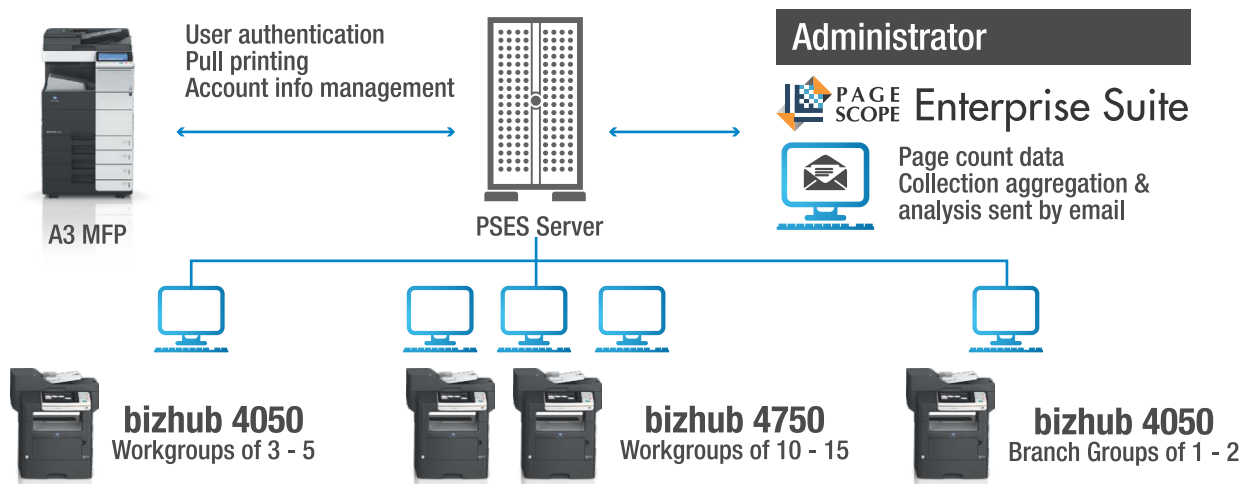
COMPACT. CONNECT. PRODUCTIVE

The new A4 monochrome bizhub 4750 / 4050 series is targeted at business with medium to high volume A4 black and white printing, who demands high quality output, connectivity and productivity.

As the bizhub 4750 / 4050 series can be centrally managed through network connectivity, they can be connected to a fleet of devices for optimal print management. They can be used as highly functional, highly productive, space saving monochrome multi-functional devices for offices that mainly use A4, letter and legal paper.

For offices and medium to large workgroups that demand higher quality outputs and greater productivity, the bizhub 4750 / 4050 can be used together with A3 MFPs to streamline outputs.

The bizhub 4750 / 4050 series employs OpenAPI, Konica Minolta's unique Application Programming Interface, which supports various third-party applications. In addition, compatibility with the optional PageScope Enterprise Suite (PSES) helps to reduce administrator burden through centralised device management and batch settings.



The bizhub 4750 / 4050 enhances ease of use and convenience by combining the essential functions required by offices in a compact body.

CONNECTIVITY



The new bizhub 4750 / 4050 series is compatible with PageScope Enterprise Suite 3.0. It provides the solutions to empower your business by offering centralised management of accounting, authentication and device information. It allows multiple device setup and management, remote firmware updating and device aggregation to reduce the administrator workload.

PAGE SCOPE Enterprise Suite

Use PageScope Mobile (for iPhone / iPad / for Android) for smooth connectivity with smart phones and tablet devices.

- Print from mobile terminal, Pull Printing, integration with scan systems, etc. drive unified management of input / output flow
- Remote support and device management as per A3 devices

Print data stored in USB memory devices directly from the MFP. Supported file formats:



Expand functions with i-Option

i-Option expands the potential of the bizhub with extensions such as Barcode fonts, Unicode fonts, OCR fonts and ThinPrint function. The required extensions can be installed easily.



ThinPrint is a virtual desktop environment that streamlines the printing process by compressing data to reduce network overload caused by enormous amounts of print data.

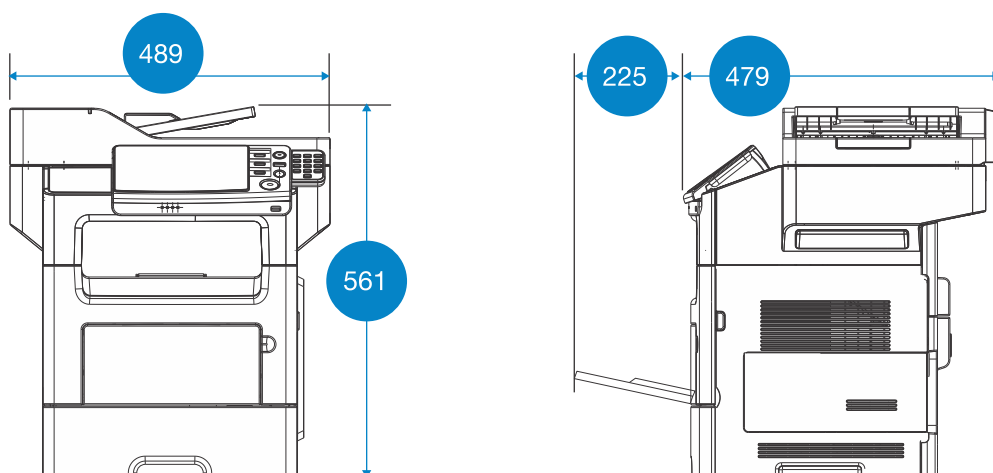
- The bizhub will operate as a ThinPrint Client (.print Client). ThinPrint system must be operating on the network used.
- ThinPrint is a printing solution software provided by Cortado AG of Germany.
- i-Option License Kit LK-111 is required

> Green

The bizhub 4750 / 4050 lower power consumption during sleep mode and improved TEC values contributes to lower CO₂ emissions. They also utilise environmentally friendly parts and consumables.

COMPACT

The bizhub 4750 / 4050 condenses high functionality and high-quality printing in a compact body to support a variety of businesses. The compact design and a small footprint allow them to fit perfectly on the desk side.



Exterior dimensions: 489 x 479 x 561
(W x D x H / Units : mm)
(bizhub 4750 / 4050)

Weight: 24 kg (bizhub 4750 / 4050)

PRODUCTIVE

Despite their compact sizes, the bizhub 4750 / 4050 series is standard equipped with a 550-sheet large capacity paper cassette. Optional paper cassettes can also be added for a maximum capacity of 2,300 sheets.



High-speed, high-quality

Get high-speed outputs of 47 ppm (A4) with the bizhub 4750 and 40 ppm (A4) with the bizhub 4050 at 600 x 600 dpi. In addition, 1,200 x 1,200 dpi high-resolution is also available for higher quality outputs. PCL6 emulation – often used for business – and PostScript3 emulation are also supported to provide an enhanced range of outputs.

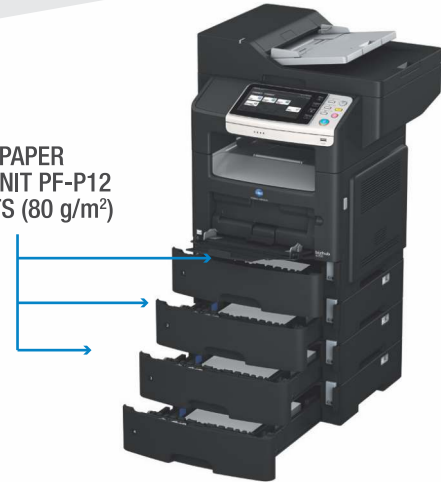
RADF and colour scanner

A 30 opm colour (45 opm monochrome) high-speed colour scanner and RADF (Recirculating Automatic Document Feeder) are standard equipped for quick scanning of high volume business documents. The bizhub 4750 / 4050 can even be used as a Super G3 fax machine with the optional Fax Kit.



OPTIONAL FINISHER FS-P02

OPTIONAL PAPER FEEDING UNIT PF-P12 550 SHEETS (80 g/m²)



STAPLING AND HIGH PAPER CAPACITY

Boost productivity with the stapling function and extra paper cassettes within the same compact footprint. The optional compact stapler handles up to 20 sheets of paper and can be installed on the backside of the main unit. The standard 550-sheet paper capacity can be increased with a 100-sheet manual feeding tray and three optional 550-sheet and / or 250-sheet paper feeding units.



INFO-PALETTE DESIGN

The bizhub 4750 / 4050 series delivers the similar user-friendly operability as the bizhub A3 MFPs thanks to the INFO-Palette design smart user interface. The 7-inch electrostatic colour touch panel display provides seamless and intuitive usability even for first-time users with smartphone-like tap & flick operation.



INFO-Palette



SECURE

The bizhub 4750 / 4050's user authentication offers high level device management for security and cost efficiency. User authentication systems for security, such as connecting to the already operating authentication server or installing the optional IC card authentication, can be set to match the usage environment. Furthermore, PageScope Authentication Manager can be installed to build an even more effective management system.



bizhub 4750 / 4050



Black & White:

47 / 40 ppm

MAX Power Consumption:

1.7 kW

MAX Paper Capacity:

2,300 sheets

Scanning Speed:

45 opm

Black & White

30 opm

Colour

Print Resolution:

600x600 dpi

1200x1200 dpi

Key Features:

Print speed A4:
47 / 40 ppm

Paper formats: Postcard, A4 to
A5 or Legal (8 - 1/2" x 14")

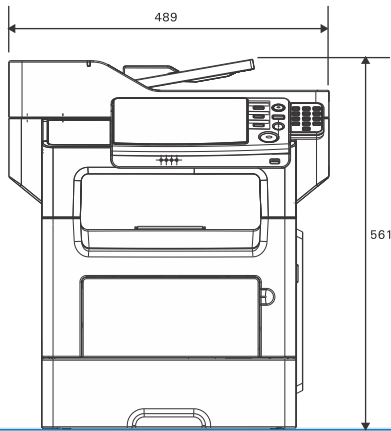
A large 7-inch touch panel display with
smartphone-like tap and flick control

User-friendly and convenient to
meet diverse business needs

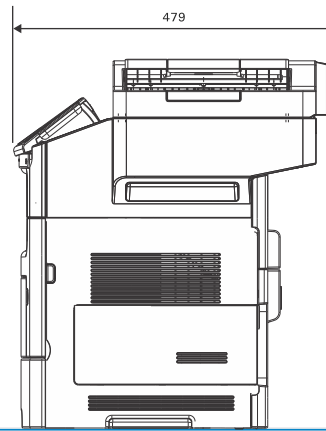
Enhanced compatibility for a
more efficient workflow

Excellent eco performance
and eco design





Front View
bizhub 4750 / 4050



Side View
bizhub 4750 / 4050

- **i-Option LK-106**
Barcode font
(Code39, QR Code, PDF417)
- **i-Option LK-107**
Unicode font
- **i-Option LK-108**
OCR font (OCR-A, OCR-B (PCL))
- **i-Option LK-111**
ThinPrint function
- **Keypad KP-P01**
- **Local Interface Kit EK-P04**
RS232C (for CSRC) cable



- **Fax Kit FK-512**
- **Mount Kit MK-P03**
Fax mount kit
- **Authentication Unit AU-201**
IC card type

- **Finisher FS-P02**
Stapler
- **Staple Kit SK-501**
* for FS-P02

- **Desk DK-P02**
* Not available in all areas.

- **Paper Feeder Unit PF-P11**
 - A5 to A4 / Letter
 - 250 sheets
 - 16 to 120 g/m²

- **Paper Feeder Unit PF-P12**
 - A5 to A4 / Letter
 - 550 sheets
 - 16 to 120 g/m²

SPECIFICATIONS

bizhub 4750 / 4050 General Specifications

		bizhub 4750	bizhub 4050
Type		Desktop Printer / Copier / Scanner	
Copy Resolution	Scan	Main: 600 dpi × Sub: 600 dpi	
	Print	600 dpi	
	Copy Print	Default mode: 600 dpi × 600 dpi High Quality mode (Half Speed): 1,200 dpi × 1,200 dpi	
Gradation		256	
Memory Capacity (Std./Max.)		2 GB / 2 GB	
HDD		320 GB	
Original Type		Sheets, Books, Objects	
Max. Original Size		A4 or Legal (8-1/2" × 14")	
Output Size		Legal, Letter, A4 to A6 Custom: 76.2 × 127 mm to 216 × 356 mm	
Image Loss	Copy	Max. 4.0 mm ±2 mm for top / bottom / right / left edges	
	Print	Max. 4.2 mm ±2 mm or less for top / bottom / right / left edges	
Warm-Up Time ¹		77 sec. or less	
First Copy Out Time ²		8.5 sec. or less	
Copy Speed (A4)		47 ppm	40 ppm
Copy Magnification	Fixed Same Magnification	1: 1.000	
	Scaling Up	1: 1.154 / 1.224 / 1.294 / 1.414 / 1.545 / 1.631 / 2.000	
	Scaling Down	1: 0.866 / 0.816 / 0.785 / 0.707 / 0.647 / 0.607 / 0.500	
	Preset	3 types	
	Zoom	25 to 400% (in 0.1% increments)	
	Lengthwise Crosswise Individual Settings	25 to 400% (in 0.1% increments)	
Paper Capacity (75 g/m ²)	Tray 1	550 sheets (up to Legal)	
	Multiple Bypass Tray	100 sheets (up to Legal)	
Max. Paper Capacity (75 g/m ²)		2,300 sheets	
Paper Weight	Tray 1	60 to 120 g/m ²	
	Multiple Bypass Tray	60 to 163 g/m ²	
Multiple Copy		1 to 999 sheets	
Auto Duplex	Type	Non-Stack	
	Paper Size	Legal, Letter, A4	
	Paper Weight	60 to 90 g/m ²	
Power Requirements		AC220 to 240 V 4.2 A (50 to 60 Hz)	
Max. Power Consumption		972 W or less	926 W or less
Dimensions [W] × [D] × [H]		489 × 479 × 561 mm (19-1/4" × 18-3/4" × 22")	
Weight		Approx. 24 kg (52 lb)	
Space Requirements ³ [W] × [D]		595 × 793 mm (23-1/2" × 31-1/4")	

- ¹ Warm-up time may vary depending on the operating environment and usage.
The time required to start printing when both the main power and sub-power switches are turned from OFF to ON. (23 C, std. voltage)
- ² A4 full size/using the first tray/scanning from the original glass surface.
- ³ Without options, with paper trays pulled out, and multiple bypass tray, auxiliary tray and ADF opened.

Printer Specifications

Type		Embedded
CPU		88PA6170 (800 MHz)
Memory		Shared with the copier
Print Speed		Same as Copy Speed (when using the same original)
HDD		320 GB (Shared with the copier)
Print Resolution		600 × 600 dpi, 1,200 × 1,200 dpi
PDL		PCL5e/c Emulation, PCL XL (Ver.3.0) Emulation, PostScript3 (3016) Emulation, XPS (Ver.1.0)
Protocol		TCP/IP, IPX/SPX (NDS support), SMB (NetBEUI), LPD, IPP1.1, SNMP, HTTP, WSD, AppleTalk
Support OS		Windows XP SP3 / XP SP2 64bit / Vista SP2 / Vista SP2 64bit / 7 SP1 / 8 Windows Server 2003 SP2 / Server 2003 SP2 64bit / Server 2008 SP2 / Server 2008 SP2 64bit Mac OS X 10.2.8 or later Linux 5 or later
Fonts	PCL	80 Roman fonts
	PS	137 Roman Type1 fonts
Interface		Ethernet (10BASE-T / 100BASE-TX / 1000BASE-T), USB 1.1, USB 2.0

Scanning Specifications

Type		Full-Colour Scanner
Interface		Ethernet (10BASE-T / 100BASE-TX / 1000BASE-T)
Driver		TWAIN Driver
Protocol		TCP/IP (FTP, SMB, SMTP, WebDAV), TCP Socket WSD
Scanning Speed (A4, 300 dpi)		B&W/Colour: 45/30 opm
Scanning Size		Max. A4 or Legal (8-1/2" × 14")
Output Format		TIFF, JPEG, PDF, Compact PDF, XPS, PDF/A
Scanning Resolution	Push	200 dpi / 300 dpi / 400 dpi / 600 dpi
	Pull	200 dpi / 300 dpi / 400 dpi / 600 dpi
Main Functions		Scan to E-Mail, Scan to FTP, Scan to BOX (HDD), Scan to PC (SMB), Network TWAIN, Scan to WebDAV, Scan to USB, WSD Scan

Reverse Automatic Document Feeder

		bizhub 4750	bizhub 4050
Type		Circulatory duplex system	
Support Paper Size		Legal, Letter, A4 to A6 Custom: 105 × 148 mm to 216 × 356 mm	
Mixed Size		Support	
Original Set		Centre guide	
Resolution		600 dpi support	
Support Paper Weight		52 to 120 g/m ²	
Paper Capacity (75 g/m ²)		Max. 50 sheets	
Productivity (A4)	Simplex	Copy	B&W: 47 opm
		Scan	B&W: 45 opm, Colour: 30 opm
	Duplex	Copy	B&W: 20 opm
		Scan	B&W: 20 opm, Colour: 13 opm

Fax Kit FK-512 (Optional)

Communication	Super G3
Compatible Lines	Public Switch Telephone Network, Private Branch Exchange, Fax Communication Line
Line Density	G3 (8 dot/mm × 3.85 line/mm, 600 × 600 dpi)
Modem Speed	2.4 to 33.6 kbps
Compression	MH / MR / MMR / JBIG
Sending Paper Size	Max. A4 or Legal (Long Length Support: Max.1,000 mm (ADF))
Recording Paper Size	Max. A4 or Legal (Long Length Max. 1,000 mm — following the page division —)
Transmission Speed	Less than 3 sec. (A4, V.34, 33.6 kbps, JBIG)
Memory	Shared with the copier
Number of Abbr. Dials	2,000
Number of Group Dials	100
Sequential Multiple Station Transmission	Max. 400

Internet Fax (Optional) *Optional Fax Kit FK-512 is required.

Protocol	SMTP, POP
Connection Mode	Full-Mode
Sending Paper Size	Max. A4 or Legal
Recording Paper Size	Max. Legal
Resolution	200 × 100 dpi, 200 × 200 dpi, 400 × 400 dpi, 600 × 600 dpi
Interface	Ethernet (10BASE-T / 100BASE-TX / 1000BASE-T)
Format	Send: TIFF-F, Receive: TIFF-F

Finisher FS-P02 (Optional)

Type	Stapler
Support Paper Size	A4, Letter, Legal
Mode	Corner staple
Staple Capacity	2 to 20 sheets (52 to 75 g/m ²)
Dimensions [W] × [D] × [H]	389 × 138 × 195 mm (15-1/4" × 5-1/2" × 7-3/4")
Weight	Approx. 5.3 kg (11.6 lb)

Paper Feeder Unit PF-P11 (Optional)

Support Paper Type (Weight)	60 to 120 g/m ²
Support Paper Size	Legal, Letter, A4, B5, A5 Custom: 105 × 148 mm to 216 × 356 mm
Paper Capacity (75 g/m ²)	250 sheets
Power Requirements	Supplied from the MFP main body
Dimensions [W] × [D] × [H]	389 × 382 × 77 mm (15-1/4" × 15" × 3")
Unit Configuration	Paper tray, 1 level
Weight	Approx. 4.2 kg (9-1/4 lb)

Paper Feeder Unit PF-P12 (Optional)

Support Paper Type (Weight)	60 to 120 g/m ²
Support Paper Size	Legal, Letter, A4, B5, A5 Custom: 105 × 148 mm to 216 × 356 mm
Paper Capacity (75 g/m ²)	550 sheets
Power Requirements	Supplied from the MFP main body
Dimensions [W] × [D] × [H]	389 × 382 × 109 mm (15-1/4" × 15" × 4-1/4")
Unit Configuration	Paper tray, 1 level
Weight	Approx. 4.7 kg (10-1/4 lb)

Authentication Unit (IC Card type) AU-201 (Optional)

Applicable Card	ISO 14443 TypeA, FeliCa-based noncontact IC card
Interface	USB 1.1 or later
Power Supply	Power received from USB port
Dimensions [W] × [D] × [H]	92 × 64 × 16 mm (3-3/4" × 2-1/2" × 3/4")
Weight	Approx. 120 g (264-1/2 lb)



bizhub 4750 + PF-P11 + PF-P12



PT . PERDANA JATIPUTRA

Jl. Bungur Besar No. 89 Jakarta 10620 , Indonesia
Sales : (021) 424 8809 (Hunting), Service (021) 420 3888 (Hunting)
Fax : (021) 424 1581/420 1239
E - mail : marketing@perdana.biz
Website : www.perdana.biz

CABANG & DEPO

Bekasi :

Jl. M.H. Thamrin Ruko Plaza Menteng, Blok B No. 7
Lippo Cikarang, Phone : (021) 899 05257

Bogor :

Jl. Kd Halang Ruko 2B, Warung Jambu
Bogor, Phone : (0251) 831 6366

Bandung :

Jl. Batununggal Indah IV, No. 29, Bandung
Phone : (022) 751 0509

Tangerang :

Kompleks Duta Mas Plaza Blok F/17
Taman Cibodas, Jl. Gatot Subroto KM 3,5
Cimone, Tangerang, Phone : (021) 552 7959

Medan :

Jl. Raden Saleh No. 75 - 77, Medan
Phone : (061) 451 8552

Makasar :

Jl. Danau Tanjung Bunga Utara No. 109
Taman Kahyangan, Tanjung Bunga
Phone : (0411) 839 353

Manado :

Jl. Arie Lasut, Perum Kombos Holy Lestari Blok B No. 1
Phone : (0431) 877 4773

Hubungi Kami :



FOR THE EARTH. FOR THE FUTURE.



CLICK FOR MORE DETAIL OF
PT PERDANA JATIPUTRA