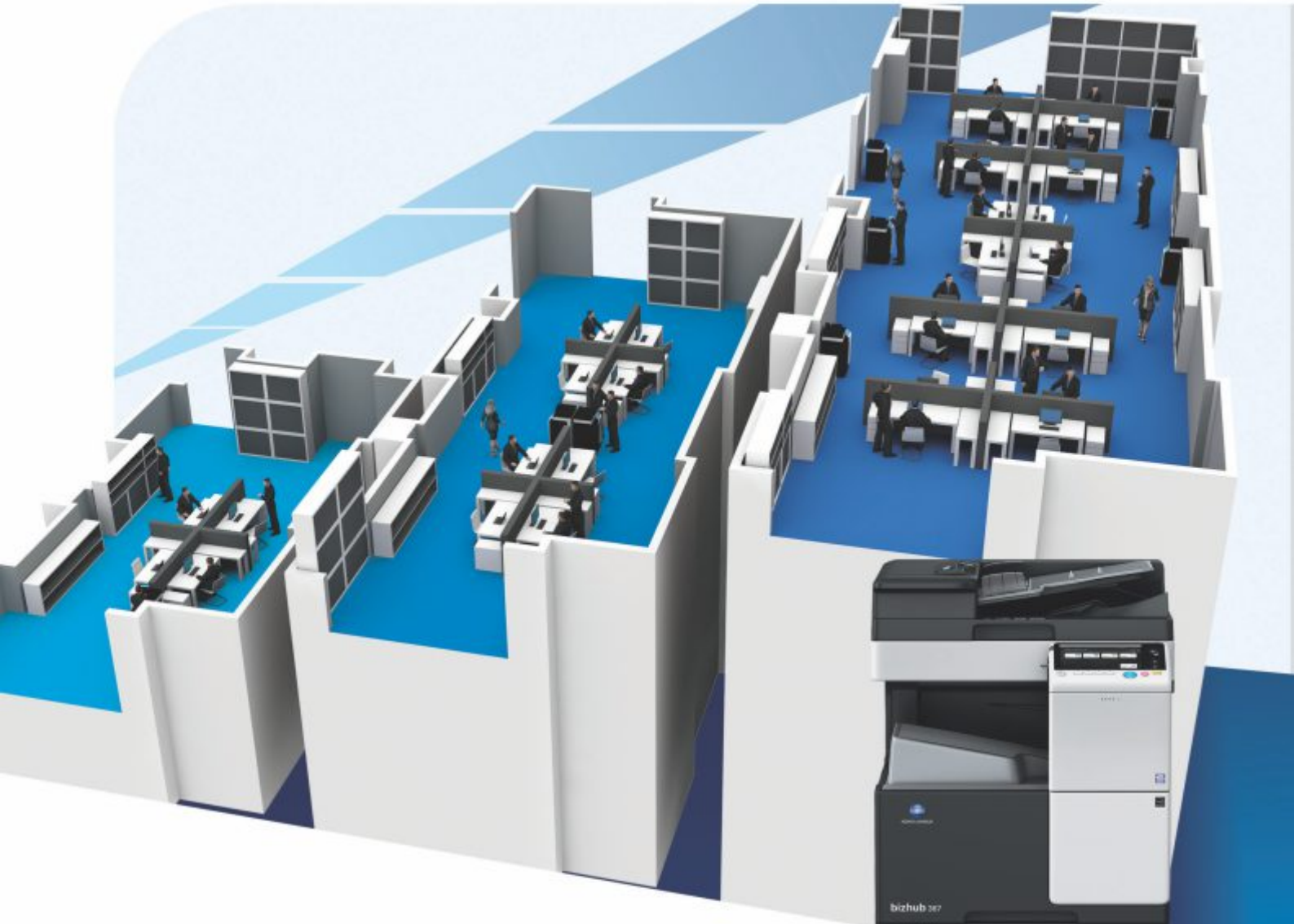




KONICA MINOLTA

BUILT FOR GROWING BUSINESS

A3 Monochrome bizhub 367 series



bizhub 367/287

Giving Shape to Ideas

Business needs are changing with the smart proliferation of smart devices and cloud usage. The new monochrome bizhub 367 series provides the latest technology and is designed for business that requires connectivity, functionalities, good user experience and productivity.

Business users can expect improved efficiency, reduced energy consumption and smaller hardware footprint. The new series are also packed with the latest security technology.

The new bizhub 367 series comes with an intuitive 7-inch control panel. Its on-screen soft menu keys and hard menu keys allow users to register up to 9 commonly used functions.



AirPrint

Apple's standard printing system compatible with iOS 4.2 and Mac OS 10.7 or later. A compatible printer on your wireless LAN can be used.



Mopria Print Service

Wireless printing technology established by Mopria Alliance. It allows you to print from devices installed with Android 4.4 or later.



Google Cloud Print

A cloud print service provided by Google. User can print from any location via the internet regardless of OS or device type.



Konica Minolta Print Services

Print directly to bizhub via a wireless LAN from all apps that support Android's print function.



PageScope Mobile

Konica Minolta's proprietary mobile print application allows usage of wide range of bizhub functions such as duplex print, security print, staple and punch.

*1 Android devices must be installed with Android 4.4 or later and NFC Antenna that supports HCE (Host Card Emulation). For iOS devices, iPhones4s or later, 3rd generation or later iPad and iPad mini are compatible with Bluetooth LE.

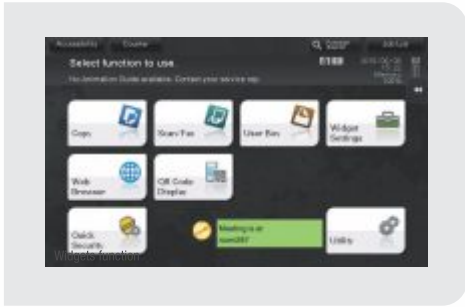
*2 Optional Device Connection Interface Kit EK-609 is required.

*3 Google Cloud Print Setup and Google account registration are required. Optional Upgrade Kit UK-211 is required.



The new series supports mobility that allows users to scan and print with Near Field Communication^{*1} (NFC) or Bluetooth LE^{*2} and the standard mobile print technologies such as Google Cloud Print^{*3}, Apple AirPrint and Mopria Print Service; alongside Konica Minolta proprietary mobile print technologies like Konica Minolta Print Service and Konica Minolta PageScope Mobile. It allows information-sharing and document management through Cloud services where users can scan to Cloud and Print from Cloud.





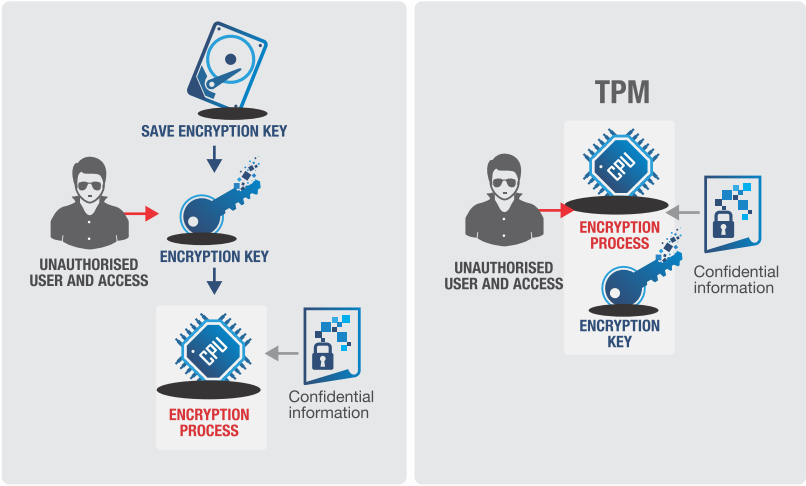
Equipped with latest MFP controller architecture, the bizhub 367 series has standard web browser. The newly developed control panel allows the use of multi-touch UI to display, print and distribute website or content.

With the improved Auto Refine Development Technology, users can expect enhanced image quality.

The new bizhub 367 series comes with embedded widget application where users can install and execute within the MFP operation panel. Text boxes, icons or GIF animations can be installed and used for internal communication such as messages and rules.

SECURITY FEATURES

The bizhub 367 series' main controller conforms to IEEE standard 2600.1 – 2009¹ and it is equipped with TPM² (Trusted Platform Module) to protect confidential information. It enhances security by completing the encryption process within the chip for a safer encryption process.



Previous encryption process

Encryption process with TPM

¹ currently under application for ISO/IEC 15048

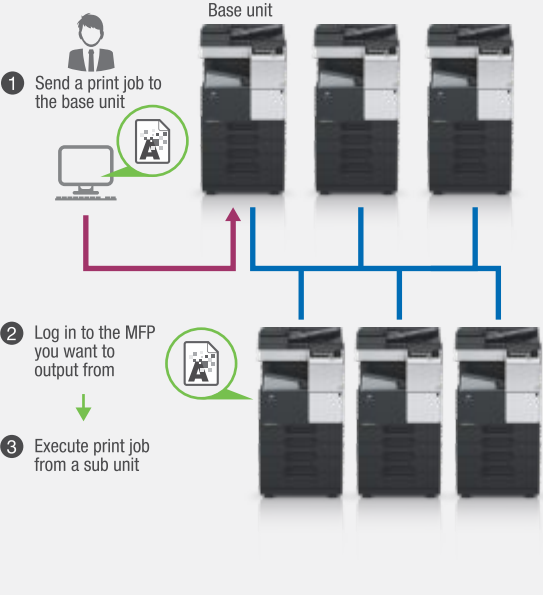
² Optional i-Option LK-115 v2 is required

SERVER-LESS PULL PRINTING

With server-less pull printing, print jobs sent by users can be printed from any MFP in the same network.

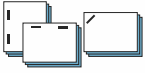
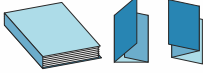


* A pull printing system supports up to a maximum of 10 MFPs. It is necessary that all corresponding MFPs to be in the same network.

* Options required
 Base unit : LK-114 + UK-211 + HD-522
 Client unit (Web Browser OFF) : LK-114 + UK-211 + HD-522
 Client unit (Web Browser ON) : LK-114



FINISHING OPTIONS

The new bizhub 367 series supports a wide range of finishers for various types of output. Users can create and produce a variety of printed materials in-house which will lead to more flexibility and productivity.

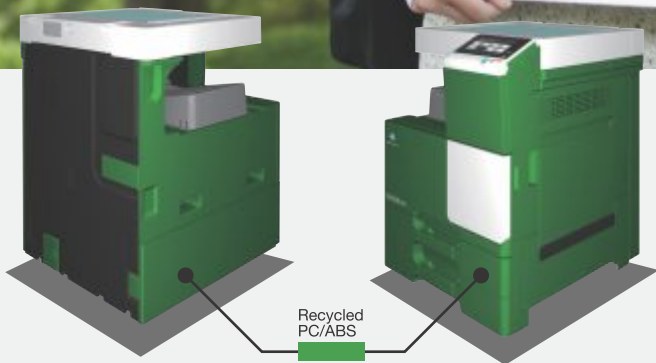
 <p>Stapling function</p>	 <p>Binding (booklet) & Folding functions</p>	 <p>Punching function</p>	 <p>Cover sheet & paper insertion functions</p>
--	--	--	--



> GREEN

The bizhub 367 Series has been awarded the International Energy Star Program Version 2.0 (revised in January 1, 2014).

Users can monitor and implement green initiatives by adding shortcut keys for Eco function such as toner/ paper saving or power saving on the control panel.



Usage of the recycled materials

Recycled PC/ABS and biomass plastic have been used in the MFP body. The recycled material usage is approximately 11% of total MFP weight ratio¹⁾ and approximately 51% of the MFP main body are made by the recycled materials.

¹⁾ Total weight ratio of resins and plastics used in this machine.

Top class power consumption and TEC value in its class

The MFP's CPU power is set to turn off during sleep mode. This results in a top class 0.5 W power consumption ratio (during sleep mode). The TEC value has also been reduced approximately by 32-55%. Less CO₂ emissions from MFP.

* Values for 220-230 V

* TEC values applied to the International Energy Star Program Version 2.0

Yearly CO₂ emissions:

TEC value x 52 weeks x emission factor

(From the November, 2011 press release by Japan's Ministry of the Environment.)



bizhub 367/287

Black & White:
36 / 28 ppm

MAX Paper Capacity:
3,600 sheets

Scanning speed:
45 opm*

* When using the Reverse Automatic Document Feeder DF-628 (optional)

Print Resolution:
1800x600 dpi



Key Features:

Print Speed A4: 36 / 28 ppm in black & white

Paper formats: A6-A3, postcard, envelope, label sheet, tab paper

7-inch colour touch panel with multi-touch support

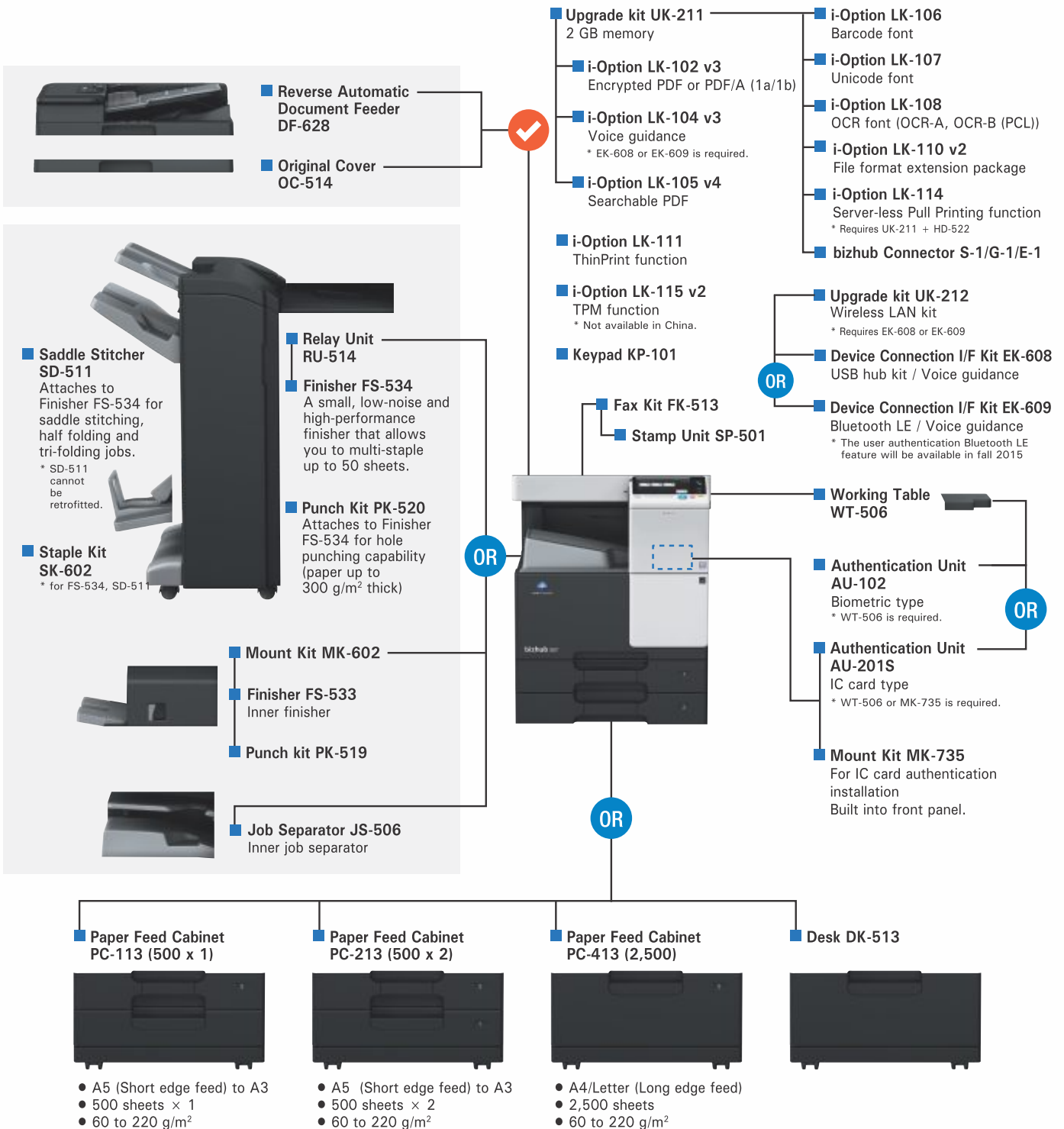
Modular finishing and paper tray options for customised configurations



Simitri
with Biomass

*1 Optional

*2 Available from Fall 2015



Note: Some options are not listed.

OR One of the options may be selected (not mandatory).

✓ One of the options must be selected (mandatory).

SPECIFICATIONS - bizhub 367/287

bizhub 367/287 General Specifications

		bizhub 367	bizhub 287
Type		Desktop Printer / Copier / Scanner	
Copy Resolution	Scan	Main: 600 dpi Sub: 600 dpi	
	Print	1,800 dpi (equivalent) 600 dpi	
Gradation		256	
Memory Capacity (Std./Max.)		2 GB/4 GB	
HDD		250 GB (optional)	
Original Type		Sheets, Books, Objects	
Max. Original Size		A3 (11" x 17")	
Output Size		Main unit: A3 to A5, 11" x 17" to 8-1/2" x 11", 5-1/2" x 8-1/2", 8" x 13" ¹ , 16K, 8K Bypass Tray: A3 to A5, B6 ² , A6 ² , 11" x 17" to 5-1/2" x 8-1/2", 8" x 13" ² , 16K, 8K, Postcard (A6 (4" x 6" Card)), Envelope ³ , Label sheet, Tab paper	
Image Loss		Max. 4.2mm or less for top edge (5 mm for thin paper), Max. 3.0mm or less for bottom edge, Max. 3.0mm or less for right/left edges *A loss of 4.2 mm each during printing.	
Warm-Up Time*4 (23 C, std. voltage)		20 sec. or less	
*The time required to start printing when both the main power and sub-power switches are turned OFF to ON. *The time required to start printing when the main power switch is ON and the sub-power switch is turned from OFF to ON.		15 sec. or less	
First Copy Out Time*5		4.5 sec. or less 5.3 sec. or less	
Copy Speed (A4)		36 ppm 28 ppm	
Copy Magnification	Fixed Same Magnification	1: ±0.5% or less	
	Scaling Up	1: 1.154/1.224/1.414/2.000	
	Scaling Down	1: 0.866/0.816/0.707/0.500	
	Preset	3 types	
	Zoom	25 to 400% (in 0.1% increments)	
	Lengthwise Crosswise Individual Settings	25 to 400% (in 0.1% increments)	
Paper Capacity (80 g/m ²)	Tray 1	500 sheets (up to B4)	
	Tray 2	500 sheets (up to A3)	
	Multiple Bypass Tray	100 sheets (up to A3)	
Max. Paper Capacity (80 g/m ²)*6		3,600 sheets	
Paper Weight	Tray 1 / 2	60 to 220 g/m ²	
	Multiple Bypass Tray	60 to 220 g/m ²	
Multiple Copy		1 to 9,999 sheets	
Auto Duplex	Paper Size	A3 to A5 ⁷ , B5 ⁷ , 11" x 17" ² to 5-1/2" x 8-1/2" ² , 7-1/4" x 10-1/2", 8" x 13" ² , 16K, 8K ²	
	Paper Weight	60 to 209 g/m ²	
Power Requirements		AC230 V 7 A (50 to 60 Hz)	
Max. Power Consumption		1.5 kW or less	
Dimensions [W] x [D] x [H]		585 x 660 x 735 mm (23-1/16" x 26" x 28-15/16")	
Weight		Approx. 56.5 kg (124-1/2 lb)	
Space Requirements [W] x [D]*8		899 x 1,172 mm (35-1/2" x 46-1/4")	

*1 There are six types of foolscap: 8-1/2" x 13-1/2"², 220 mm x 330 mm², 8-1/2" x 13"², 8-1/4" x 13"², 8-1/8" x 13-1/4"², and 8" x 13"². Any one of these sizes is selectable. For details, contact your service representative.

*2 Short edge feed 

*3 Wrinkles or printing errors may occur due to the type, storage or environment that exists when envelope printing is carried out.

*4 May vary depending on the operating environment and usage.

*5 A4 long edge feed full size/using the first tray/scanning from the original glass surface.

*6 With options installed.

*7 Long edge feed 

*8 Without options, with paper trays pulled out and multiple bypass tray opened.

Printer Specifications

Type	Embedded	
CPU	ARM Cortex-A7 Dual-core 1.2GHz	
Memory	Shared with the copier	
Print Speed	Same as Copy Speed (when using the same original)	
HDD	250 GB (Shared with the copier)	
Print Resolution	1,800 dpi (equivalent) 600 dpi	
PDL	PCL 6, PostScript 3 Emulation, XPS	
Protocol	TCP/IP, IPX/SPX (NDS support), SMB (NetBEUI), LPD, IPP1.1, SNMP, AppleTalk	
Support OS	Windows Vista*1 / 7*1 / 8*1 / 8.1*1 Windows Server 2003*1 / 2003 R2*1 / 2008*1 / 2008 R2 / 2012 / 2012 R2 Mac OS X (10.6 / 10.7 / 10.8 / 10.9 / 10.10) Linux	
Fonts	PCL	80 Roman fonts
	PS	137 Roman Type1 fonts
Interface	Ethernet (10BASE-T/100BASE-TX/1000BASE-T), USB 1.1, USB 2.0, IEEE 802.11 b/g/n*2	

*1 Supports the 32-bit (x86) or 64-bit (x64) environment.

*2 Optional

Scanning Specifications

Type	Full-Colour Scanner	
Interface	Ethernet (10BASE-T/100BASE-TX/1000BASE-T), IEEE 802.11 b/g/n*1	
Driver	TWAIN Driver, HDD TWAIN Driver	
Protocol	TCP/IP (FTP, SMB, SMTP, WebDAV) (IPv4/IPv6)	
Scanning Speed (Colour/B&W) (300 dpi, A4, Simplex)	45 opm*2	
Scanning Size	Max. A3 (11" x 17")	
Output Format	TIFF, JPEG, PDF, Compact PDF, XPS, Compact XPS, OOXML (pptx, xlsx ¹ , docx ¹), Searchable PDF ¹ , PDF/A ¹ , Linearised PDF ¹	
Scanning Resolution	Push	200 dpi / 300 dpi / 400 dpi / 600 dpi
	Pull	100 dpi / 200 dpi / 300 dpi / 400 dpi / 600 dpi
Main Functions	Scan to E-Mail, Scan to FTP, Scan to BOX (HDD), Scan to PC (SMB), Network TWAIN, Scan to WebDAV, Scan to USB, Scan to Scan Server, Scan to Web Service (WSD-Scan), Device Profile for Web Services (DPWS)	
Other Functions	Multi-Method Send, Authentication at the time of E-Mail send (SMTP authentication, POP before SMTP), S/MIME, Annotation	

*1 Optional

*2 When using the Reverse Automatic Document Feeder DF 628.

Internet Fax

Protocol	TX: SMTP, RX: POP3, TCP/IP Simple mode
Connection Mode	Full-Mode
Sending Paper Size	A3, B4, A4
Recording Paper Size	Max. A3
Resolution	B/W: 200 x 100 dpi, 200 x 200 dpi, 400 x 400 dpi, 600 x 600 dpi Colour: 200 x 200 dpi, 400 x 400 dpi, 600 x 600 dpi
Interface	Ethernet (10BASE-T/100BASE-TX/1000BASE-T)
Colour	Support Colour Internet Fax
Format	B/W: TIFF-F Colour: TIFF (Conforms to RFC3949 Profile-C)

Fax Kit FK-513 (Optional)

Communication	Super G3
Compatible Lines	Public Switch Telephone Network, Private Branch Exchange, Fax Communication Line
Line Density	Ultra Fine: 600 dpi 600 dpi Super Fine: 16 dot/mm 15.4 line/mm, 400 dpi 400 dpi Fine: 8 dot/mm 7.7 line/mm, 200 dpi 200 dpi Normal: 8 dot/mm 3.85 line/mm
Modem Speed	2.4 to 33.6 kbps
Compression	MH/MR/MMR/JBIG
Sending Paper Size	Max. A3 (Long Length Support: Max. 1,000 mm)
Recording Paper Size	Max. A3 (Long Length Max. 1,000 mm — following the page division —)
Transmission Speed	Less than 2 sec. (A4, V.34, 33.6 kbps, JBIG)
Memory	Shared with the copier
Number of Abbr. Dials	2,000
Number of Program Dials	400
Number of Group Dials	100
Sequential Multiple Station Transmission	Max. 600

IP Address Fax *Optional Fax Kit FK-513 is required.

Protocol Transmission	TCP/IP, SMTP
Sending Paper Size	A3, B4, A4
Resolution	200 x 200 dpi, 400 x 400 dpi, 600 x 600 dpi
Format	B/W: TIFF-F, TIFF-S Colour: TIFF, PDF



Reverse Automatic Document Feeder DF-628 (Optional)

Type	Circulatory duplex system	
Support Paper Size	Max. A3 (Fax mode: Max. 1,000 mm)	
Mixed Size	Support	
Original Set	Centre guide	
Support Paper Weight	Simplex: 35 to 128 g/m ² Duplex/Mixed Original: 50 to 128 g/m ²	
Paper Capacity	Max. 130 sheets (68 g/m ²)	
Productivity (A4)	300 dpi simplex 45 opm	600 dpi simplex 36 opm
	300 dpi duplex 22 opm	600 dpi duplex 17 opm
Power Requirements	Supplied from the MFP main body	
Dimensions [W] x [D] x [H]	585 x 504 x 127 mm (23" x 19-3/4" x 5")	
Weight	Approx. 9 kg (19-3/4lb)	

Finisher FS-533 (Optional) *Optional Mount Kit MK-602 is required.



Type	Finisher
Support Paper Type	Plain paper (60 to 90 g/m ²), Thick paper (91 to 220 g/m ²), Transparency, Envelope, Label sheet, Letterhead paper, Tab paper
Support Paper Size	A3 to A5, B6 ¹ , A6 ¹ , 11" x 17" to 5-1/2" x 8-1/2", 16K, 8K, Postcard (A6 (4" x 6" Card))
Mode	Sort, Group, Offset Sort, Offset Group, Staple
Stacking Capacity	500 sheets (60 to 90 g/m ² ; A4* ¹ or smaller) 250 sheets (60 to 90 g/m ² ; B4 or larger) 10 sheets (91 to 220 g/m ² , special paper)
Staple Capacity	50 sheets (60 to 90 g/m ² ; A4* ¹ or smaller) 30 sheets (60 to 90 g/m ² ; B4 or larger) 2 sheets (91 to 209 g/m ² , as cover pages)
Power Requirements	Supplied from the MFP main body
Max. Power Consumption	40 W or less
Dimensions [W] x [D] x [H]	472.5 x 583.5 x 194.7 mm (18-1/2" x 23" x 7-3/4")
Weight	Approx. 12 kg (26-1/2 lb)

*1 Short edge feed

Punch Kit PK-519 (Optional)



Applicable	Finisher FS-533
Number of holes	2 holes or 4 holes
Support Paper Type (Weight)	Plain paper (60 to 90 g/m ²), Thick paper (91 to 157 g/m ²)
Support Paper Size	A3 to B5, 11" x 17" to 7-1/4" x 10-1/2"
Power Requirements	Supplied from Finisher FS-533
Dimensions [W] x [D] x [H]	110.2 x 483.5 x 203.2 mm (4-1/2" x 19" x 8")
Weight	Approx. 3.2 kg (7 lb)

Job Separator JS-506 (Optional)



Support Paper Type (Weight)	Tray 1	Plain paper (60 to 90 g/m ²), Thick paper (91 to 220 g/m ²), Transparency, Envelope, Label sheet
	Tray 2	Plain paper (60 to 90 g/m ²), Thick paper (91 to 220 g/m ²), Transparency, Envelope, Label sheet
Support Paper Size	A3 to A5, B6 ¹ , A6 ¹ , 11" x 17" to 5-1/2" x 8-1/2", 16K, 8K, Postcard (A6 (4" x 6" Card))	
Stacking Capacity	Tray 1	100 sheets (60 to 90 g/m ²)
	Tray 2	150 sheets (60 to 90 g/m ²)
Power Requirements	Supplied from MFP main body	
Max. Power Consumption	24 W or less	
Dimensions [W] x [D] x [H]	451 x 469 x 227mm (17-3/4" x 18-1/2" x 9")	
Weight	Approx. 1.5 kg (3-1/4 lb)	

*1 Short edge feed

Finisher FS-534 (Optional)



Type	Finisher	
Support Paper Type	Plain paper (60 to 90 g/m ²), Thick paper (91 to 220 g/m ²), Transparency, Envelope, Label sheet, Letterhead paper, Tab paper	
Support Paper Size	A3 to A5, B6 ¹ , A6 ¹ , 11" x 17" to 5-1/2" x 8-1/2", 16K, 8K, Postcard (A6 (4" x 6" Card))	
Mode	Sort, Group, Offset Sort, Offset Group, Staple	
Stacking Capacity	Output tray 1 (Sub tray)	200 sheets (60 to 90 g/m ²) 20 sheets (91 to 220 g/m ² , special paper)
	Output tray 2 (Main tray)	3,000 sheets (60 to 90 g/m ² , A4* ¹ or smaller, B5 or larger) *2,000 sheets when SD-511 is installed 1,500 sheets (60 to 90 g/m ² , B4 or larger) 500 sheets (60 to 90 g/m ² , A5 or smaller) 20 sheets (91 to 220 g/m ² , special paper)
	Output tray 3 (Relay Unit top surface)	100 sheets (60 to 90 g/m ²) 20 sheets (91 to 220 g/m ² , special paper)
	Staple Capacity	50 sheets (Plain Paper 60 to 90 g/m ²) 48 sheets (Plain paper 60 to 90 g/m ²) + 2 sheets (Thick paper 91 to 209 g/m ²) 30 sheets (Thick paper 91 to 120 g/m ²) 15 sheets (Thick paper 121 to 209 g/m ²)
Power Requirements	Supplied from the MFP main body	
Max. Power Consumption	56 W or less	
Dimensions [W] x [D] x [H]	528 x 641 x 1,023 mm (20-3/4" x 25-1/4" x 40-1/4")	
Weight	Approx. 40 kg (88-1/4 lb)	

*1 Short edge feed

Finisher FS-534 with Saddle Sticher SD-511 (Optional)



Applicable	Finisher FS-534
Support Paper Type	Centre Staple: 60 to 90 g/m ² Half-Fold: 60 to 209 g/m ² (more than 91 g/m ² Thick paper can be used only as a cover page) Tri-Fold: 60 to 90 g/m ²
Support Paper Size	Centre Staple, Half-Fold: A3, B4, A4 ¹ , 11" x 17", 8-1/2" x 14", 8-1/2" x 11" ¹ , 8K Tri-Fold: A4 ¹ , 8-1/2" x 11" ¹ , 16K ¹
Maximum Number of Sheets that can be Centrestapled	20 (60 to 90 g/m ²) sheets, or 19 (90 g/m ²) sheets + Thick (209 g/m ²) 1 sheet
Maximum Number of Folded Sheets	Half-Fold: 5 sheets or Thick (91 to 209 g/m ²) 1 sheet, Tri-Fold: 3 sheets
Stacking Capacity	1 to 3 sheets: 20 sets 4 to 10 sheets: 10 sets 11 to 20 sheets: 5 sets Tri-Fold (1 sheet): 30 sets Tri-Fold (2-3 sheets): 10 sets
Power Requirements	Supplied from Finisher FS-534
Dimensions [W] x [D] x [H]	210 x 556 x 547 mm (8-1/2" x 21-3/4" x 21-1/2")
Weight	Approx. 24 kg (53 lb)

*1 Short edge feed

Punch Kit PK-520 (Optional)



Applicable	Finisher FS-534
Number of holes	2 holes or 4 holes
Support Paper Type (Weight)	Plain paper (60 to 90 g/m ²), Thick paper (91 to 220 g/m ²)
Support Paper Size	A3 to B5, 11" x 17" to 7-1/4" x 10-1/2", 16K, 8K
Power Requirements	Supplied from Finisher FS-534
Dimensions [W] x [D] x [H]	61 x 492 x 142 mm (2-1/2" x 19-1/2" x 5-1/2")
Weight	Approx. 1.8 kg (4 lb)

Paper Feed Cabinet PC-113 (Optional)



Support Paper Type (Weight)	Plain paper (60 to 90 g/m ²) Thick paper (91 to 220 g/m ²)
Support Paper Size	A3 to A5 ¹ , 11" x 17" to 5-1/2" x 8-1/2", 8" x 13", 16K, 8K
Paper Capacity Top tray (Tray 3)	Plain paper: 500 sheets, Thick paper: 150 sheets
Power Requirements	Supplied from the MFP main body
Dimensions [W] x [D] x [H]	564 x 640 x 298 mm (22.2" x 25.2" x 11.73")
Unit Configuration	Paper tray, 1 level
Weight	Approx. 22 kg (48-1/2 lb)

*1 Short edge feed

Paper Feed Cabinet PC-213 (Optional)



Support Paper Type (Weight)	Plain paper (60 to 90 g/m ²) Thick paper (91 to 220 g/m ²)
Support Paper Size	A3 to A5 ¹ , 11" x 17" to 5-1/2" x 8-1/2", 8" x 13", 16K, 8K
Paper Capacity Top tray (Tray 3)	Plain paper: 500 sheets, Thick paper: 150 sheets
Bottom tray (Tray 4)	Plain paper: 500 sheets, Thick paper: 150 sheets
Power Requirements	Supplied from the MFP main body
Dimensions [W] x [D] x [H]	564 x 640 x 298 mm (22.2" x 25.2" x 11.73")
Unit Configuration	Paper tray, 2 level
Weight	Approx. 24 kg (53 lb)

*1 Short edge feed

Paper Feed Cabinet PC-413 (Optional)



Support Paper Type (Weight)	Plain paper (60 to 90 g/m ²) Thick paper (91 to 220 g/m ²)
Support Paper Size	A4 ¹ , 8-1/2" x 11" ¹
Paper Capacity	Plain paper: 2,500 sheets, Thick paper: 1,000 sheets
Power Requirements	Supplied from the MFP main body
Dimensions [W] x [D] x [H]	564 x 640 x 298 mm (22.2" x 25.2" x 11.73")
Unit Configuration	Paper tray, 2 level
Weight	Approx. 23 kg (50-3/4 lb)

*1 Long edge feed

Authentication Unit (IC Card type) AU-201S (Optional)

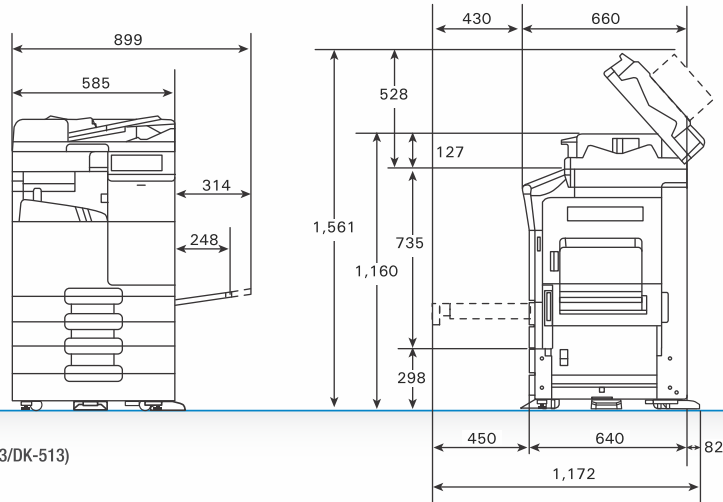
* Requires optional EK-608 or EK-609.

Applicable Card	FeliCa (IDm), SSFC, FCF, FCF (campus), FeliCa Private, TypeA MIFARE (UID), NFC (Host Card Emulation)
Interface	USB 2.0
Power Supply	Power received from USB port
Dimensions [W] x [D] x [H]	98 x 64 x 13 mm (3-7/8" x 2-1/2" x 1/2") (not including projections)
Weight	Approx. 100 g (1/4 lb)

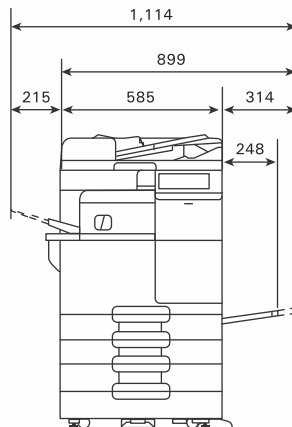
Authentication Unit (Biometric type) AU-102 (Optional)

* Requires optional EK-608 or EK-609.

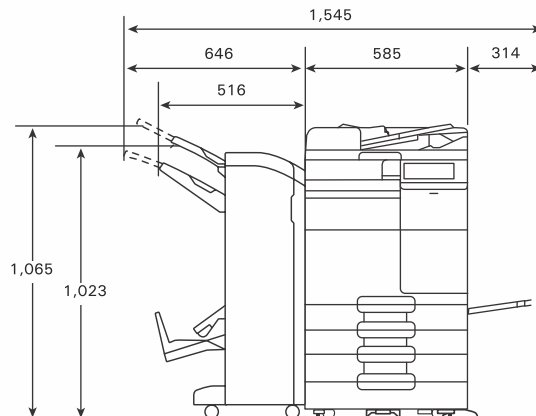
Biometric Sensor System	Transmission-type optical system
Interface	USB 2.0
Verification Time	Approx. 1 sec. or less
Max. Power Consumption	DC 5 V 500 mA
Dimensions [W] x [D] x [H]	59 x 82 x 74 mm (2-1/4" x 3-1/4" x 3")
Weight	Approx. 96 g (1/4 lb) (excluding USB cable)



Front / Side View
bizhub 367/287 + DF-628 + PC-213 (PC-113/PC-413/DK-513)



Front View
bizhub 367/287 + DF-628 + PC-213 (PC-113/PC-413/DK-513) + FS-533 + MK-602



Front View
bizhub 367/287 + DF-628 + PC-213 (PC-113/PC-413/DK-513) + FS-534 + SD-511



PT PERDANA JATIPUTRA

Address : Jl. Bungur Besar No. 89, Kemayoran
Jakarta Pusat - Indonesia 10620

Sales : (021) 424 8809 (Hunting)

Service : (021) 420 3888 (Hunting)

Fax : (021) 424 1581 / 420 1239

E-mail : marketing@perdana.biz

Website : www.perdana.biz

CABANG & DEPO

Bekasi :

Jl. M.H. Thamrin Ruko Plaza Menteng, Blok B No. 7
Lippo Cikarang, Phone : (021) 899 05257

Bogor :

Jl. Kd Halang Ruko 2B, Warung Jambu
Bogor, Phone : (0251) 831 6366

Bandung :

Jl. Batununggal Indah IV, No. 29, Bandung
Phone : (022) 751 0509

Tangerang :

Kompleks Duta Mas Plaza Blok F/17
Taman Cibodas, Jl. Gatot Subroto KM 3,5
Cimone, Tangerang, Phone : (021) 552 7959

Medan :

Jl. Raden Saleh No. 75 - 77, Medan
Phone : (061) 451 8552

Makasar :

Jl. Danau Tanjung Bunga Utara No. 109
Taman Kahyangan, Tanjung Bunga
Phone : (0411) 839 353

Manado :

Jl. Arie Lasut, Perum Kombos Holy Lestari Blok B No. 1
Phone : (0431) 877 4773



> Environmental certification
The Blue Angel compliance



FOR THE EARTH. FOR THE FUTURE.



Cert No:
12 310 50050 TMS
ISO/IEC 27001:2013



Cert No: 2015-2-2299
ISO 9001:2008
Cert No: 2015-06-38
ISO 14001:2004



SCAN CODE

Hubungi Kami :

