

KONICA MINOLTA

SIMPLICITY REDEFINED

A3 Colour bizhub C287 Series



bizhub c287/C227 

Giving Shape to Ideas

The new bizhub C287 series is compact and light, enabling it to fit in almost any type of working space.

Equipped with a 7-inch operation panel that provides multi-touch sensitivity and intuitive operability. It is user-friendly and comes with on-screen menu keys that allow users to register up to 9 commonly used functions such as copy, scan/fax, preview or soft numeric keypad.

Its intuitive INFO-Palette design provides seamless operation to users to ensure users have consistent experience across PCs, tablets or smartphones.

The new bizhub C287 series comes with an embedded widget application where users can install and execute within the MFP operation panel. Text boxes, icons or GIF animations can be configured and used for internal communication such as messages and rules.

The function icons can be enlarged and screen display colour can be reversed for ease of use.

PRINT FROM ANYWHERE, ANYTIME

➤ Connect with Android devices

Android users can print via Near Field Communication (NFC) by tapping on the new Mobile Touch Area on the operation panel. Users can tap their Android device on the Mobile Touch Area to pair with PageScope Mobile (PSM) to authenticate and to perform print¹ and scan² job.

*1 NFC connection requires Android OS 4.4 or higher to be installed.

*2 Wireless LAN environment is required to perform touch to print and scan.

➤ Connect with iOS devices

iOS users can benefit with easier printing steps. Users search and register MFP on the PageScope Mobile (PSM)³ via Bluetooth LE (BLE) technology. Additionally, iOS devices can be used to log onto the MFP through BLE connection. Select files on to the PSM to print directly from or scan files directly to the iOS devices.

*3 PageScope Mobile for iPhone/iPad version 5.0 or higher is required.

*4 Optional Device Connection I/F Kit EK-609 is required.

*5 Wireless LAN environment is required to perform print and scan.



SPECIFICATIONS bizhub C287 / C227

Job Separator JS-506 (Optional)

Optional Mount Kit MK-603 is required.



Support Paper Type (Weight)	Tray 1	Plain paper (60 to 90 g/m ²), Thick paper (91 to 256 g/m ²), Envelope, Tab paper, Banner paper
	Tray 2	Plain paper (60 to 90 g/m ²), Thick paper (91 to 256 g/m ²), Envelope, Tab paper, Banner paper
Support Paper Size		A3 to A5, B6 ¹ , A6 ¹ , Postcard
Stacking Capacity	Tray 1	100 sheets (60 to 90 g/m ²)
	Tray 2	150 sheets (60 to 90 g/m ²)
Power Requirements		Supplied from MFP main body
Max. Power Consumption		24 W or less
Dimensions [W] × [D] × [H]		451 × 469 × 227 mm (17-3/4" × 18-1/2" × 9")
Weight		Approx. 1.5 kg (3-1/4 lb)

*1 Short edge feed

Finisher FS-534 (Optional)

Optional Mount Kit MK-603 and Relay Unit RU-514 are required.



Type	Finisher	
Support Paper Type	Plain paper (60 to 90 g/m ²), Thick paper (91 to 256 g/m ²), Envelope, Tab paper, Banner paper	
Support Paper Size	A3 to A5, B6 ¹ , A6 ¹ , Postcard	
Mode	Sort, Group, Offset Sort, Offset Group, Staple	
Stacking Capacity	Output tray 1 (Sub tray)	200 sheets (60 to 90 g/m ²) 20 sheets (91 to 256 g/m ² , special paper)
	Output tray 2 (Main tray)	3,000 sheets (60 to 90 g/m ² , A4 ¹ or smaller, B5 or larger) 1,500 sheets (60 to 90 g/m ² , B4 or larger) 500 sheets (60 to 90 g/m ² , A5 or smaller) 20 sheets (91 to 256 g/m ² , special paper)
	Output tray 3 (Relay Unit top surface)	100 sheets (60 to 90 g/m ²) 20 sheets (91 to 256 g/m ² , special paper)
Staple Capacity	50 sheets (Plain Paper 60 to 90 g/m ²) 48 sheets (Plain paper 60 to 90 g/m ²) + 2 sheets (Thick paper 91 to 209 g/m ²) 30 sheets (Thick paper 91 to 120 g/m ²) 15 sheets (Thick paper 121 to 209 g/m ²)	
Power Requirements	Supplied from the MFP main body	
Max. Power Consumption	56 W or less	
Dimensions [W] × [D] × [H]	528 × 641 × 1,023 mm (20-3/4" × 25-1/4" × 40-1/4")	
Weight	Approx. 40 kg (88-1/4 lb)	

*1 Short edge feed

Finisher FS-534SD (Optional)

Optional Mount Kit MK-603 and Relay Unit RU-514 are required.



Type	Finisher	
Support Paper Type	Plain paper (60 to 90 g/m ²), Thick paper (91 to 256 g/m ²), Envelope, Tab paper, Banner paper Centre Staple: 60 to 90 g/m ² Half-Fold: 60 to 209 g/m ² (more than 91 g/m ² Thick paper can be used only as a cover page) Tri-Fold: 60 to 90 g/m ²	
Support Paper Size	A3 to A5, B6 ¹ , A6 ¹ , Postcard Centre Staple, Half-Fold: A3, B4, A4 ¹ Tri-Fold: A4 ¹	
Mode	Sort, Group, Offset Sort, Offset Group, Staple	
Staple Capacity	50 sheets (Plain Paper 60 to 90 g/m ²) 48 sheets (Plain paper 60 to 90 g/m ²) + 2 sheets (Thick paper 91 to 209 g/m ²) 30 sheets (Thick paper 91 to 120 g/m ²) 15 sheets (Thick paper 121 to 209 g/m ²)	
Maximum Number of Sheets that can be Centre stapled	20 (60 to 90 g/m ²) sheets, or 19 (90 g/m ²) sheets + Thick (209 g/m ²) 1 sheet	
Maximum Number of Folded Sheets	Half-Fold: 5 sheets or Thick (91 to 209 g/m ²) 1 sheet, Tri-Fold: 3 sheets	
Stacking Capacity	Output tray 1 (Sub tray)	200 sheets (60 to 90 g/m ²) 20 sheets (91 to 256 g/m ² , special paper)
	Output tray 2 (Main tray)	3,000 sheets (60 to 90 g/m ² , A4 ¹ or smaller, B5 or larger) 1,500 sheets (60 to 90 g/m ² , B4 or larger) 500 sheets (60 to 90 g/m ² , A5 or smaller) 20 sheets (91 to 256 g/m ² , special paper)
	Output tray 3 (Relay Unit top surface)	100 sheets (60 to 90 g/m ²) 20 sheets (91 to 256 g/m ² , special paper)
Folding output tray	1 to 3 sheets: 20 sets 4 to 10 sheets: 10 sets 11 to 20 sheets: 5 sets Tri-Fold (1 sheet): 30 sets Tri-Fold (2-3 sheets): 10 sets	
Power Requirements	Supplied from the MFP main body	
Max. Power Consumption	56 W or less	
Dimensions [W] × [D] × [H]	528 × 641 × 1,023 mm (20-3/4" × 25-1/4" × 40-1/4")	
Weight	Approx. 64 kg (141 lb)	

*1 Short edge feed

Punch Kit PK-520 (Optional)



Applicable	Finisher FS-534/FS-534SD
Number of holes	2 holes or 4 holes
Support Paper Type (Weight)	Plain paper (60 to 90 g/m ²), Thick paper (91 to 256 g/m ²)
Support Paper Size	A3 to B5
Power Requirements	Supplied from Finisher FS-534/FS-534SD
Dimensions [W] × [D] × [H]	61 × 492 × 142 mm (2-1/2" × 19-1/2" × 5-1/2")
Weight	Approx. 1.8 kg (4 lb)

Paper Feed Cabinet PC-114 (Optional)



Support Paper Type (Weight)	Plain paper (60 to 90 g/m ²) Thick paper (91 to 256 g/m ²)
Support Paper Size	A3 to A5 ¹
Paper Capacity	Top tray (Tray 3): Plain paper: 500 sheets, Thick paper: 150 sheets
Power Requirements	Supplied from the MFP main body
Dimensions [W] × [D] × [H]	564 × 640 × 254 mm (22-1/4" × 25-1/4" × 10")
Unit Configuration	Paper tray, 1 level
Weight	Approx. 22 kg (48-1/2 lb)

*1 Short edge feed

Paper Feed Cabinet PC-214 (Optional)



Support Paper Type (Weight)	Plain paper (60 to 90 g/m ²) Thick paper (91 to 256 g/m ²)	
Support Paper Size	A3 to A5 ¹	
Paper Capacity	Top tray (Tray 3)	Plain paper: 500 sheets, Thick paper: 150 sheets
	Bottom tray (Tray 4)	Plain paper: 500 sheets, Thick paper: 150 sheets
Power Requirements	Supplied from the MFP main body	
Dimensions [W] × [D] × [H]	564 × 640 × 254 mm (22-1/4" × 25-1/4" × 10")	
Unit Configuration	Paper tray, 2 level	
Weight	Approx. 24 kg (53 lb)	

*1 Short edge feed

Paper Feed Cabinet PC-414 (Optional)



Support Paper Type (Weight)	Plain paper (60 to 90 g/m ²) Thick paper (91 to 256 g/m ²)
Support Paper Size	A4 ¹
Paper Capacity	Plain paper: 2,500 sheets, Thick paper: 1,000 sheets
Power Requirements	Supplied from the MFP main body
Dimensions [W] × [D] × [H]	564 × 640 × 254 mm (22-1/4" × 25-1/4" × 10")
Unit Configuration	Paper tray, 2 level
Weight	Approx. 24.5 kg (54 lb)

*1 Long edge feed

Authentication Unit (IC Card type) AU-201S (Optional)

Applicable Card	FeliCa (iDm), SSFC, FCF, FCF (campus), FeliCa Private, TypeA MIFARE (UID), NFC (Host Card Emulation)
Interface	USB 2.0
Power Supply	Power received from USB port
Dimensions [W] × [D] × [H]	98 × 64 × 13 mm (3-7/8" × 2-1/2" × 1/2") (not including projections)
Weight	Approx. 100 g (1/4 lb)

Authentication Unit (Biometric type) AU-102 (Optional)

Biometric Sensor System	Transmission-type optical system
Interface	USB 2.0
Verification Time	Approx. 1 sec. or less
Max. Power Consumption	DC 5 V 500 mA
Dimensions [W] × [D] × [H]	59 × 82 × 74 mm (2-1/4" × 3-1/4" × 3")
Weight	Approx. 96 g (1/4 lb) (excluding USB cable)

SPECIFICATIONS bizhub C287 / C227

bizhub C287/C227 General Specifications

		bizhub C287	bizhub C227
Type	Desktop Full Colour Printer / Copier / Scanner		
Colour Support	Full colour		
Copy Resolution	Scan	Main: 600 dpi × Sub: 600 dpi	
	Print	1,800 dpi (equivalent) × 600 dpi	
Gradation	256		
Memory Capacity (Std./Max.)	2 GB		
HDD	250 GB (optional)		
Original Type	Sheets, Books, Objects		
Max. Original Size	A3		
Output Size	Main unit	A3 to A5	
	Bypass Tray	A3 to A5, B6 ¹ , A6 ¹ , Postcard, Envelope ² , Tab paper, Banner paper (Width: 210 mm to 297 mm, Length: 432 mm to 1,200 mm) ³	
Image Loss	Max. 4.2mm or less for top edge (5 mm for thin paper), Max. 3.0mm or less for bottom edge, Max. 3.0mm or less for right/left edges ⁴ A loss of 4.2 mm each during printing.		
	Colour/B&W: 20 sec. or less		
Warm-Up Time* ⁴ (23°C, std. voltage)	Colour/B&W: 20 sec. or less		
⁵ The time required to start printing when both the main power and sub-power switches are turned from OFF to ON.			
⁶ The time required to start printing when the main power switch is ON and the sub-power switch is turned from OFF to ON.			
First Copy Out Time* ⁵	Colour	8.4 sec. or less	
	B/W	6.8 sec. or less	
Copy Speed (Colour/B&W, A4)	28 ppm		22 ppm
Copy Magnification	Fixed Same Magnification	1: 1±0.5% or less	
	Scaling Up	1: 1.154/1.224/1.414/2.000	
	Scaling Down	1: 0.866/0.816/0.707/0.500	
	Preset	3 types	
	Zoom	25 to 400% (in 0.1% increments)	
	Longwise Crosswise Individual Settings	25 to 400% (in 0.1% increments)	
Paper Capacity (80 g/m ²)	Tray 1	500 sheets	
	Tray 2	500 sheets	
	Multiple Bypass Tray	100 sheets	
Max. Paper Capacity (80 g/m ²) ⁶	3,600 sheets		
Paper Weight	Tray 1 / 2	60 to 256 g/m ²	
	Multiple Bypass Tray	60 to 256 g/m ²	
Multiple Copy	1 to 9,999 sheets		
Auto Duplex	Paper Size	A3 to A5, B6 ¹ , A6 ¹ , Postcard	
	Paper Weight	60 to 209 g/m ²	
Power Requirements	AC220 to 240 V 8 A (50 to 60 Hz)		
Max. Power Consumption	1.58 kW or less		
Dimensions [W] × [D] × [H]	585 × 660 × 787 mm (23-1/16" × 26" × 31")		
Weight	Approx. 72 kg (158-3/4 lb)		
Space Requirements [W] × [D] ⁷	899 × 1,090 mm (35-1/2" × 45-15/16")		

¹ Short edge feed

² Wrinkles or printing errors may occur due to the type, storage or environment that exists when envelope printing is carried out

³ Printing on banner paper can only be performed from a PC.

⁴ May vary depending on the operating environment and usage.

⁵ A4 long edge feed full size/using the first tray/scanning from the original glass surface.

⁶ With options installed.

⁷ Without options, with paper trays pulled out, and multiple bypass tray, auxiliary tray and ADF opened.

Printer Specifications

Type	Embedded		
CPU	ARM Cortex-A7 Dual-core 1.2GHz		
Memory	2 GB (2,048 MB)		
Print Speed	Same as Copy Speed (when using the same original)		
HDD	250 GB (Shared with the copier)		
Print Resolution	1,800 dpi (equivalent) × 600 dpi		
PDL	PCL5e/c, PCL 6, PostScript 3 Emulation, XPS, BMLinks		
Protocol	TCP/IP (LPD, Raw, SMB, IPP), IPX/SPX (NetBIOS support), AppleTalk		
Support OS	Windows Vista ^{*1} / 7 ^{*1} / 8 ^{*1} / 8.1 ^{*1} / 10 ^{*1}		
	Windows Server 2008 ^{*1} / 2008 R2 / 2012 / 2012 R2		
	Mac OS X (10.6 / 10.7 / 10.8 / 10.9 / 10.10 / 10.11)		
	Linux		
Fonts	PCL	80 Roman fonts	
	PS	137 Roman Type1 fonts	
Interface	Ethernet (10BASE-T/100BASE-TX/1000BASE-T), USB 1.1, USB 2.0, IEEE 802.11 b/g/n ^{*2}		

^{*1} Supports the 32-bit (x86) or 64-bit (x64) environment.

^{*2} Optional

Scanning Specifications

Type	Full-Colour Scanner		
Interface	Ethernet (10BASE-T/100BASE-TX/1000BASE-T), USB 1.1, USB 2.0, IEEE 802.11 b/g/n ^{*1}		
	TWAIN Driver, HDD TWAIN Driver		
Protocol	TCP/IP (FTP, SMB, SMTP, WebDAV) (IPv4/IPv6)		
Scanning Speed (Colour/B&W) (300 dpi, A4, Simplex)	45 opm ^{*2}		
Scanning Size	Max. A3 (11" × 17")		
Output Format	TIFF, JPEG, PDF, Compact PDF, XPS, Compact XPS, OOXML (pptx, xlsx ^{*1} , docx ^{*1}), Searchable PDF ^{*1} , PDF/A ^{*1} , Linearised PDF ^{*1}		
	Scanning Resolution	200 dpi / 300 dpi / 400 dpi / 600 dpi	
Main Functions	Push	100 dpi / 200 dpi / 300 dpi / 400 dpi / 600 dpi	
	Pull	100 dpi / 200 dpi / 300 dpi / 400 dpi / 600 dpi	
Other Functions	Scan to E-Mail, Scan to FTP, Scan to BOX (HDD), Scan to PC (SMB), Network TWAIN, Scan to WebDAV, Scan to USB, Scan to Scan Server, Scan to Me, Scan to Home, Scan to Web Service (WSD-Scan), Device Profile for Web Services (DPWS)		
	Multi-Method Send, Authentication at the time of E-Mail send (SMTP authentication, POP before SMTP), S/MIME, Annotation		
Support OS	Windows Vista ^{*1} / 7 ^{*1} / 8 ^{*1} / 8.1 ^{*1} / 10 ^{*1}		

^{*1} Optional

^{*2} When using the Reverse Automatic Document Feeder DF-628.

^{*3} Supports the 32-bit (x86) or 64-bit (x64) environment.

Internet Fax

Protocol	TX: SMTP RX: POP3, TCP/IP Simple mode	
Connection Mode	Full-Mode	
Sending Paper Size	A3, B4, A4	
Recording Paper Size	Max. A3	
Resolution	B/W: 200 × 100 dpi, 200 × 200 dpi, 400 × 400 dpi, 600 × 600 dpi Colour: 200 × 200 dpi, 400 × 400 dpi, 600 × 600 dpi	
Interface	Ethernet (10BASE-T/100BASE-TX/1000BASE-T)	
Colour	Support Colour Internet Fax	
Format	B/W: TIF F-F Colour: TIFF (Conforms to RFC3949 Profile-C)	

Fax Kit FK-513 (Optional)

Communication	Super G3	
Compatible Lines	Public Switch Telephone Network, Private Branch Exchange, Fax Communication Line	
Line Density	Ultra Fine: 600 dpi 600 dpi	
	Super Fine: 16 dot/mm 15.4 line/mm, 400 dpi 400 dpi	
	Fine: 8 dot/mm 7.7 line/mm, 200 dpi 200 dpi Normal: 8 dot/mm 3.85 line/mm	
Modem Speed	2.4 to 33.6 kbps	
Compression	MH/MR/MMR/JBIG	
Sending Paper Size	Max. A3 (Long Length Support: Max. 1,000 mm)	
Recording Paper Size	Max. A3 (Long Length Max. 1,000 mm — following the page division —)	
Transmission Speed	Less than 2 sec. (A4, V.34, 33.6 kbps, JBIG)	
Memory	Shared with the copier	
Number of Abbr. Dials	2,000	
Number of Program Dials	400	
Number of Group Dials	100	
Sequential Multiple Station Transmission	Max. 600	

IP Address Fax

Protocol Transmission	TCP/IP, SMTP	
Sending Paper Size	A3, B4, A4	
Resolution	200 × 200 dpi, 400 × 400 dpi, 600 × 600 dpi	
Format	B/W: TIF F-F, TIFF-F Colour: TIFF, PDF	

Reverse Automatic Document Feeder DF-628 (Optional)

Type	Circulatory duplex system		
Support Paper Size	Max. A3 (Fax mode: Max. 1,000 mm)		
Mixed Size	Support		
Original Set	Centre guide		
Support Paper Weight	Simplex: 35 to 128 g/m ²		
	Duplex/Mixed Original: 50 to 128 g/m ²		
Paper Capacity	Max. 130 sheets (68 g/m ²)		
Productivity (A4)	Simplex	Colour/B&W: 45 opm (300 dpi), 36 opm (600 dpi)	
	Duplex	Colour/B&W: 22 opm (300 dpi), 17 opm (600 dpi)	
Power Requirements	Supplied from the MFP main body		
Dimensions [W] × [D] × [H]	585 × 504 × 127 mm (23" × 19-3/4" × 5")		
Weight	Approx. 9 kg (19-3/4lb)		

Finisher FS-533 (Optional)

Type	Finisher		
Support Paper Type	Plain paper (60 to 90 g/m ²), Thick paper (91 to 256 g/m ²), Envelope, Tab paper, Banner paper		
Support Paper Size	A3 to A5, B6 ¹ , A6 ¹ , Postcard		
Mode	Sort, Group, Offset Sort, Offset Group, Staple		
Stacking Capacity	500 sheets (60 to 90 g/m ² , A4 ^{*1} or smaller)		
	250 sheets (60 to 90 g/m ² , B4 or larger)		
	10 sheets (91 to 256 g/m ² , special paper)		
Staple Capacity	50 sheets (60 to 90 g/m ² , A4 ^{*1} or smaller)		
	30 sheets (60 to 90 g/m ² , B4 or larger)		
	2 sheets (91 to 256 g/m ² , as cover pages)		
Power Requirements	Supplied from the MFP main body		
Max. Power Consumption	40 W or less		
Dimensions [W] × [D] × [H]	472.5 × 583.5 × 194.7 mm (18-1/2" × 23" × 7-3/4")		
Weight	Approx. 12 kg (26-1/2 lb)		

^{*1} Short edge feed

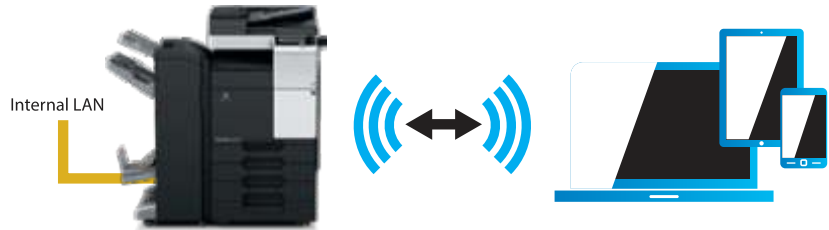
Punch Kit PK-519 (Optional)

Applicable	Finisher FS-533		
Number of holes	2 holes or 4 holes		
Support Paper Type (Weight)	Plain paper (60 to 90 g/m ²), Thick paper (91 to 157 g/m ²)		
Support Paper Size	A3 to B5		
Power Requirements	Supplied from Finisher FS-533		
Dimensions [W] × [D] × [H]	110.2 × 483.5 × 203.2 mm (4-1/2" × 19" × 8")		
Weight	Approx. 3.2 kg (7 lb)		

Wireless LAN (AP mode) support

Wireless LAN (AP mode) connection image

With added option, bizhub C287 series MFP becomes a wireless LAN access point, allowing connection between MFP and mobile devices, without accessing to company LAN.



* In AP mode (base unit), simultaneous connections can be made with up to 5 devices.

Mobile devices are able to connect directly with bizhub, through the existing wireless LAN Access Point. The direct connection is securely separated from the company's existing LANs.

The set up can be completed simply by scanning the QR code that is displayed on the operation panel.

*6 Optional Upgrade Kit UK-212 and Device Connection I/F Kit EK-608 or EK-609 are required.

Standard web browser

Users can browse the internet and print directly from bizhub C287/C227 multi-touch UI on the operation panel. It is especially useful for printing that requires portions of PDF files that can be viewed on websites or maps for places you are about to visit.

CONNECT INSTANTLY WITHOUT PRINT DRIVERS TO INDUSTRY STANDARD MOBILE TECHNOLOGIES



AirPrint

Apple's standard printing system compatible with iOS 4.2 and Mac OS 10.7 or later. A compatible printer on your wireless LAN can be used.



Mopria Print Service

Wireless printing technology established by Mopria Alliance. It allows you to print from devices installed with Android 4.4 or later.



Google Cloud print

A cloud print service provided by Google. You can print from any location via the internet regardless of OS or device type.

*Optional Upgrade Kit UK-211 is required.



Konica Minolta Print Services

Print directly to bizhub via a wireless LAN from all apps that supports Android's print function.



PageScope Mobile

Konica Minolta's proprietary mobile print application allows usage of wide range of bizhub functions such as duplex print, security print, staple and punch.



Secure



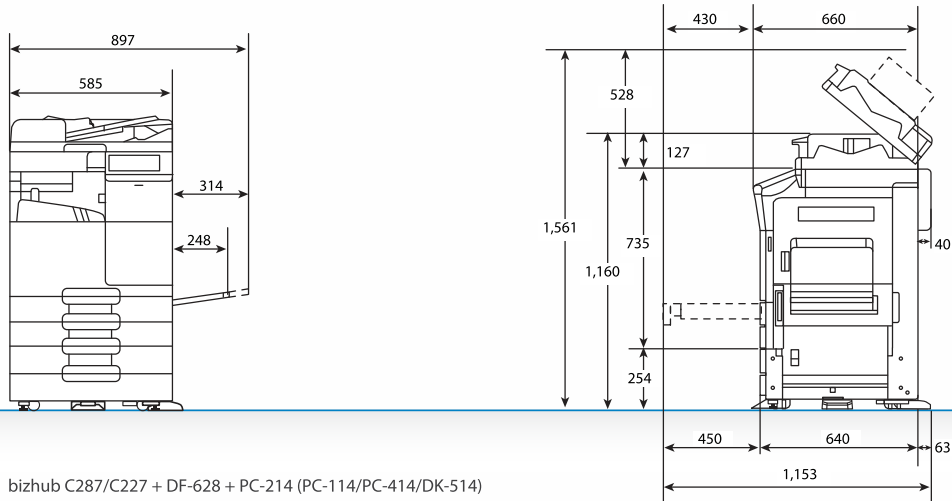
Biometric Authentication



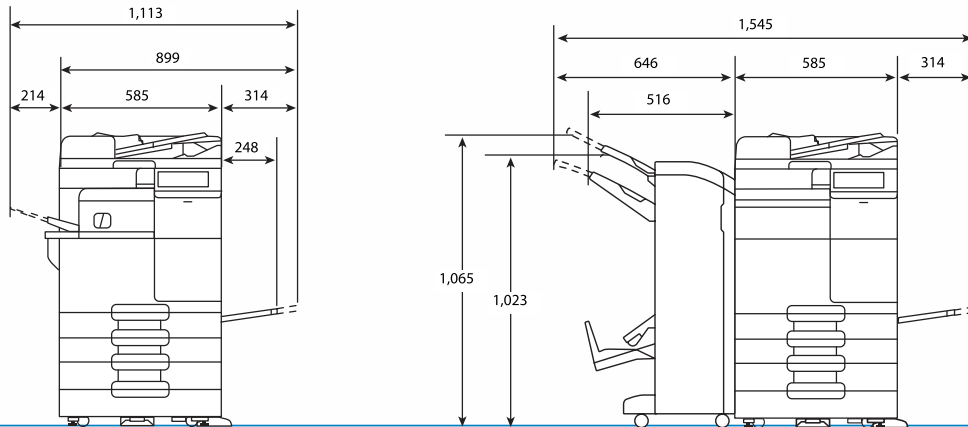
TPM



ID Card Authentication



bizhub C287/C227 + DF-628 + PC-214 (PC-114/PC-414/DK-514)



bizhub C287/C227 + DF-628 + PC-214 (PC-114/PC-414/DK-514) + FS-533 + MK-602 + MK-603

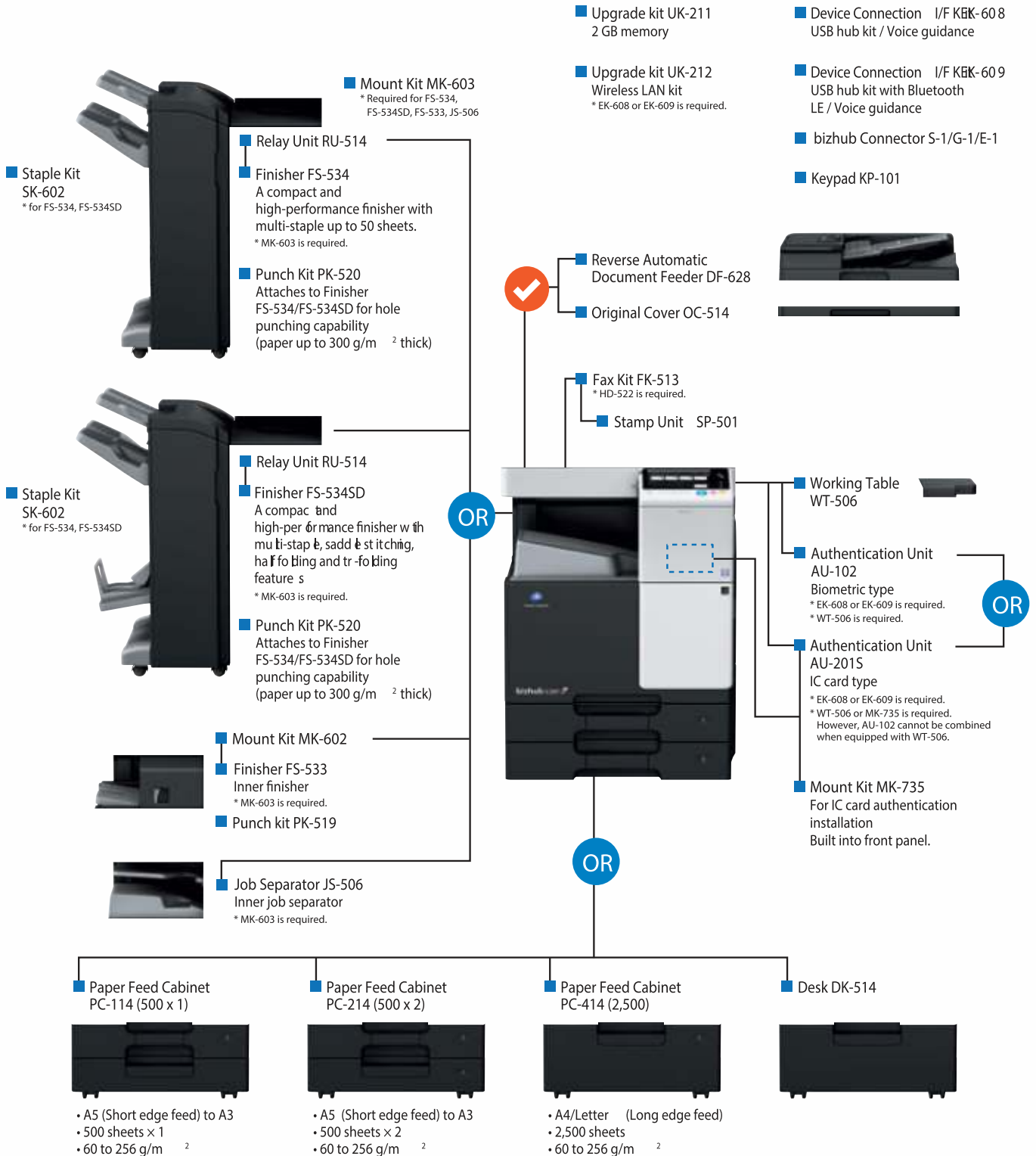
bizhub C287/C227 + DF-628 + PC-214 (PC-114/PC-414/DK-514) + RU-514 + MK-603 + FS-5345D

I-OPTION -bizhub C287 / C227

Model	Function	Note
i-Option LK-102 v3	Encrypted PDF or PDF/A (1a/1b)	Upgrade Kit UK-211 is required.
i-Option LK-104 v3	Voice guidance*	
i-Option LK-105 v4	Searchable PDF	
i-Option LK-106	Barcode font (Code39, QR Code, PDF417)	
i-Option LK-107	Unicode font	
i-Option LK-108	OCR font (OCR-A, OCR-B (PCL))	
i-Option LK-110 v2	File format extension package	
i-Option LK-111	ThinPrint function	
i-Option LK-114	Server-less Pull Printing function	Base unit Upgrade Kit UK-211 and HDD HD-522 are required. Client unit Upgrade Kit UK-211 and HDD HD-522 are required. (Web Browser OFF) Client unit No other options required. (Web Browser ON)
i-Option LK-115 v2	TPM function	

*1 Device Connection I/F Kit EK-608 or EK-609 is required.

SYSTEM - bizhub C287 / C227



Note: Some options are not listed.

OR One of the options may be selected (not mandatory).

✓ One of the options must be selected (mandatory).

SECURE TECHNOLOGY

› Authentication on the MFP main unit

Authentication can be performed directly on the main unit. Detailed access control can be set up for each function including copy, print, scan and fax.*

*1 FAX feature requires optional FAX Kit FK-513 and HDD HD-522.



› IC Card Authentication

Users can authenticate with various types of IC cards. The authentication method complies with SSFC (Shared Security Formats Cooperation) standard. Besides the IC card, authentication can also be performed with any Android devices^{*4} that comes with NFC antenna.

*2 Optional Authentication Unit AU-2015 and Device Connection I/F Kit EK-608 or EK-609 are required.

*3 Compliant non-contact IC cards include FeliCa (IDm), SSFC, FCF, FCF (campus), FeliCa Private, and MIFARE (UID).

*4 Requires Android 4.4 or later that supports HCE (Host Card Emulation) or PageScope Mobile for Android v4.1 or later.



› Biometric Authentication*

Users can authenticate via finger veins. The biometric authentication is easy to implement and cannot be forged.

* Optional Biometric Authentication Unit AU-102, Working Table WT-506 and Device Connection I/F Kit EK-608 or EK-609 are required.

› ID & Print

Users who are concerned about information leakage can set a password in the printer driver before executing the print. The MFP will release print when the correct password is entered on the MFP operation panel.



› TPM (Trusted Platform Module)

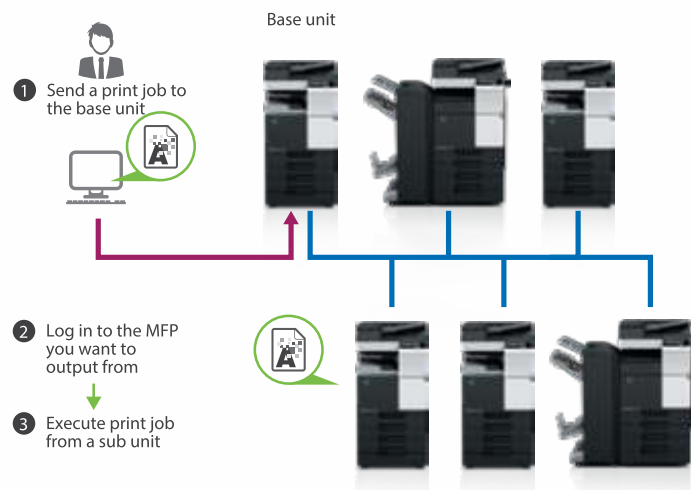
TPM (Trusted Platform Module) is a security chip which encrypts and decrypts confidential data. The information is encrypted and stored in a dedicated storage area in the chip to avoid unauthorised reading.

* Optional i-Option LK-115 v2 is required.

› Server-less Pull Printing

The implementation of server-less pull printing system is easy and low in cost. This allows users the flexibility to print from any MFP in the same network.

* Options required
- Base unit: LK-114 + UK-211 + HD-522
- Client unit (Web Browser OFF): LK-114 + UK-211 + HD-522
- Client unit (Web Browser ON): LK-114

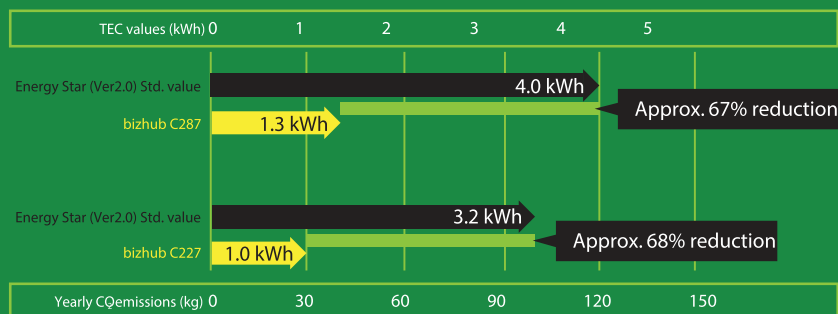


Sustainability



➤ Top-class low power consumption

The bizhub C287 series' power consumption is significantly lower during the sleep mode as the CPU is switched off. With only a mere 0.5W power consumption during sleep mode, it has less environmental impact due to lower TEC value at approximately 67-68% and lower CO₂ emission.



• Values for 220-230 V
• TEC values applied to the International Energy Star Program Version 2.0
Yearly CO₂ emissions:
TEC value x 52 weeks x emission factor
(From the November, 2011 press release by Japan's Ministry of the Environment.)

bizhub c287/C227

PRINT SPEED:
28 / 22 ppm
 Colour / B&W

MAX POWER CONSUMPTION: **1.5kw**

MAX PAPER CAPACITY (80GSM) **3,600**^{*1} sheets
*1 With options installed

SCANNING SPEED ^{*2}
45 opm Colour / B&W
*2 When using the Reverse Automatic Document Feeder DF-628

SCAN RESOLUTION:
600x600 dpi

PRINT RESOLUTION:
1,800 equivalent x 600 dpi



Key Features:

Print Speed A4: 28 / 22 ppm in colour and black & white

Paper formats: A6-A3, B6, postcard, envelope, label paper and index paper

7-inch colour touch panel with multi-touch support

Modular finishing and paper tray options for customised configurations



^{*1}

^{*1}



^{*1} Optional

^{*1}

bizhub

C287/C227



FOR THE EARTH. FOR THE FUTURE.



CertNo: 2015-2-2299
ISO 9001: 2008
CertNo: 2015-06-38
ISO 14001: 2004



CertNo:
12 310 50050TMS
ISO/IEC 27001:2013



► Environmental certification

The Blue Angel compliance
bizhub 306 Series meets the criteria of
current Blue Angel (RAL-UZ171) certification.

perdana
DIGITAL SYSTEM BIZSOLUTION

PT PERDANA JATIPUTRA

Jl. Bungur Besar No. 89,
Kemayoran, Jakarta 10620

Phone: (021) 424 8809

E-mail: marketing@perdana.biz

  : [@konicaminolta.indonesia](https://www.instagram.com/konicaminolta.indonesia)

Website: www.perdana.biz



CLICK FOR MORE DETAIL OF
PT PERDANA JATIPUTRA

Hubungi Kami :

Giving Shape to Ideas